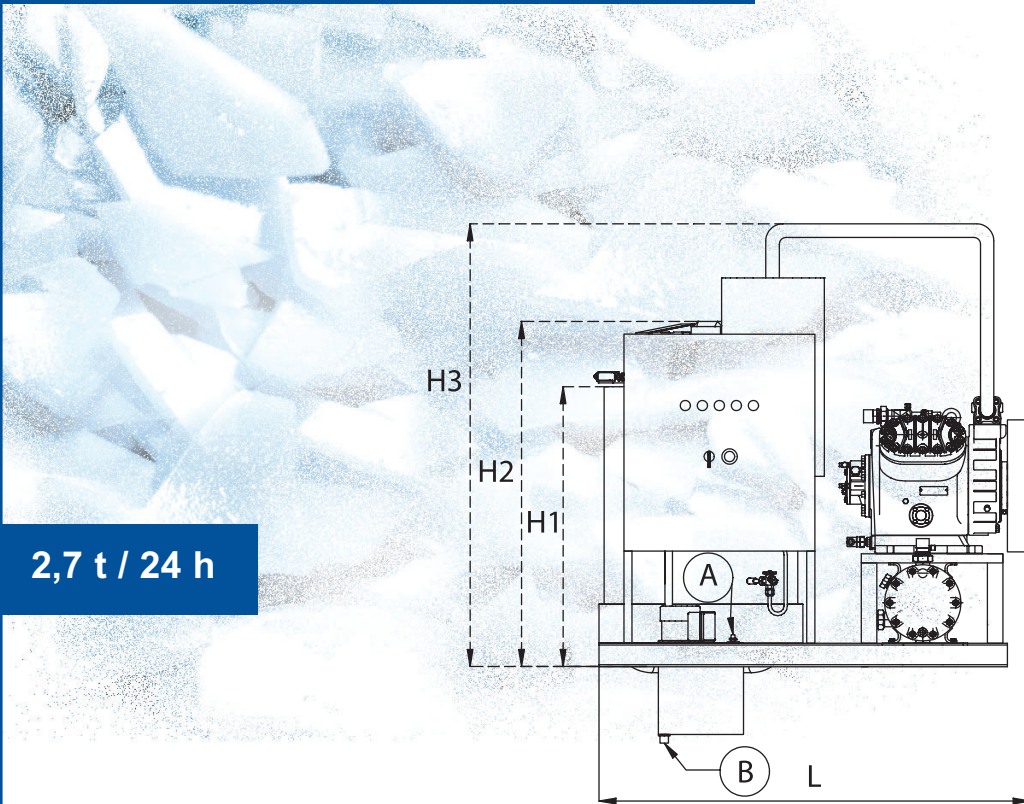
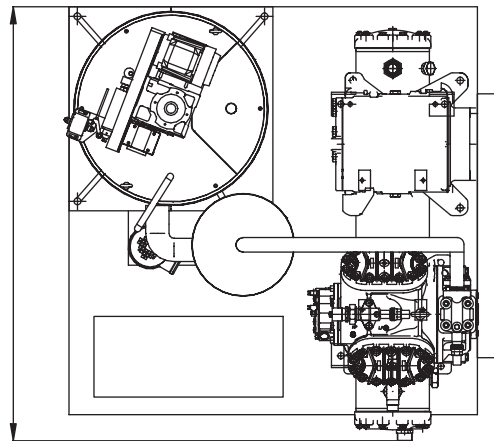


ICE - PACK F100 SW



2,7 t / 24 h



GENEGLACE sas
 ZAC de la Forêt - 9 rue des Orfèvres
 44840 Les Sorinières -France
 Telephone : +33 (0)2 51 19 10 51
 Fax : +33 (0)2 40 05 73 81
www.geneglance.com
 contact@geneglance.fr

Models and specifications can be
 subject to change without notice
 10/2004

Capital 3 737 000 E - SIREN 444 160 873 RCS Nantes

SPECIFICATIONS		PACK F100 SW
Water supply		seawater
Refrigerant		R404A
Refrigerant charge	Kg	50
Nominal conditions of operation		
Ambient temperature	°C	25
Temperature of supplied water	°C	20
DAILY PRODUCTION (Kg per 24h)		2600
Ice thickness	mm	2,1
Reamer speed	rph	87
Evaporating temperature	°C	- 35
Liquid feed		Dx
Power supply		
Voltage	V-ph-Hz	400-3-50
Installed power	KVA	16,5
Energy consumption	kWh/t	66
MAIN COMPONENTS		
Compressor	Type	open
Condenser		seawater cooled
Condenser water flow rate	m ³ /h	6
NET WEIGHT	Kg	700
OVERALL DIMENSIONS		
Length	m	1,30
Width	m	1,30
Height	m	1,30