

GENERAL OPTION CONSIDERED FOR GEA GENEGLACE MATERIAL

GENERATOR ALONE FOR ICE PRODUCTION

to be connected to refrigeration plant or dedicated unit

Food bottle

Flood bottle is not required when ice generator feeding is expected by pump.



Electrical pannel



Option 1

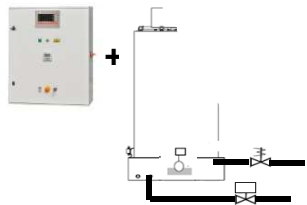
For dedicated unit

When cooling refrigeration unit is fully dedicated to ice generator

Option 2

For refrigeration plant

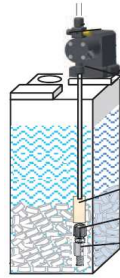
When cooling refrigeration unit is dedicated to ice generator & other part



CIP cleaning in place (with pannel)

This option will be required the moment the environnement of the generator require a perfect cleaning operation every day

common options



Replacement of :
Salt dosing tube
replacement

By

Salt dosing pump

100gr/ 1000Kg

To facilitate the production and ensure the reliability of the machinery (will decrease the scalling level and ensure a long life time of mechanical devices..)



Remote control with timer

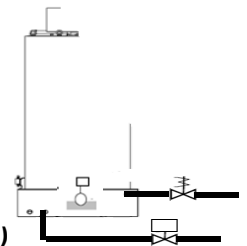
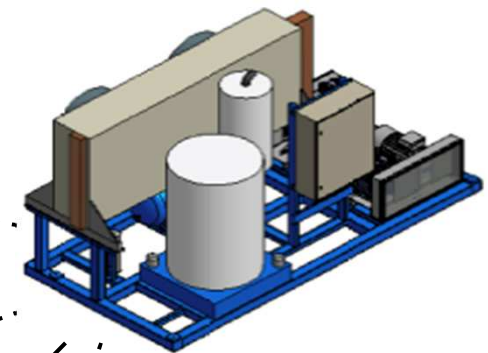
this option will help you to start and stop the production at distance. (controlling the running time of the machine)



Level controller (will stop the ice production in case of storage full filled)

ICE PRODUCTION PACK

plug & play units



CIP cleaning in place (without pannel)

This option will be required the moment the environnement of the generator require a perfect cleaning operation every day

Geneglance Ice Technology Centre

GEA refrigeration France S.A.S - GENEGLACE ICE TECHNOLOGY CENTRE, 9 rue des Orfèvres, 44840 Les Sorinières

Tél : 33 (0)2 51 19 10 51 – Fax : 33 (0)2 40 05 73 81 – www.geneglance.com

geneglance@gea.com